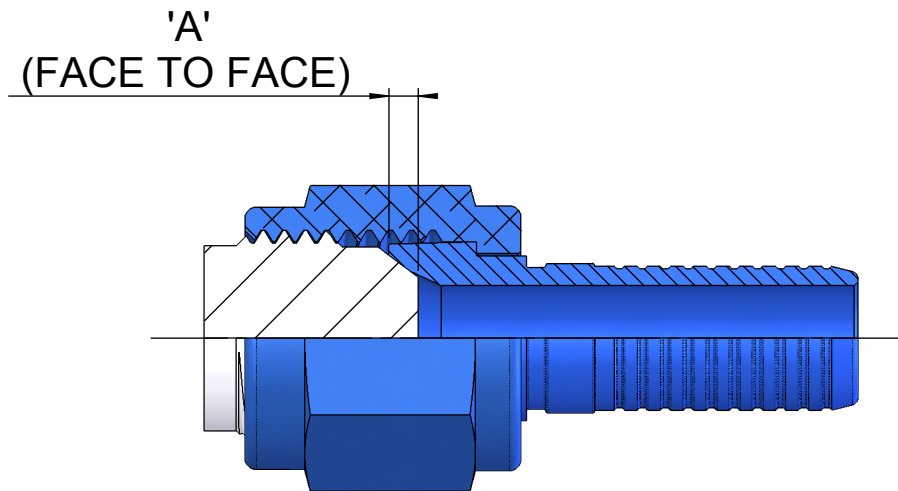


Design Information

Document No:
5-01-103-0

37° JIC Connection Length



JIC SIZE	THREAD	'A'mm Nom.
-2	5/16" x 24 UNF	1.9
-3	3/8" x 24 UNF	1.7
-4	7/16" x 20 UNF	1.7
-5	1/2" x 20 UNF	1.7
-6	9/16" x 18 UNF	2.0
-8	3/4" x 16 UNF	2.4
-10	7/8" x 14 UNF	2.4
-12	1-1/16" x 12 UN	3.1
-16	1-5/16" x 12 UN	3.2

FHS
MOTOR RACING

656 Ajax Avenue, Slough, Berkshire, SL1 4BH

Tel: +44 (0)1753 513080 Fax: +44 (0)1753 513099

www.fhsracing.co.uk e-mail: info@fhsracing.co.uk

This Data is confidential and is supplied on the express condition that it shall not be lent, copied or disclosed to any other person or used for any other purpose without the written consent of FHS Motor Racing Ltd.

© FHS Motor Racing Ltd 2010, Design rights under Copyright, Designs & Patents Act 1988 reserved.