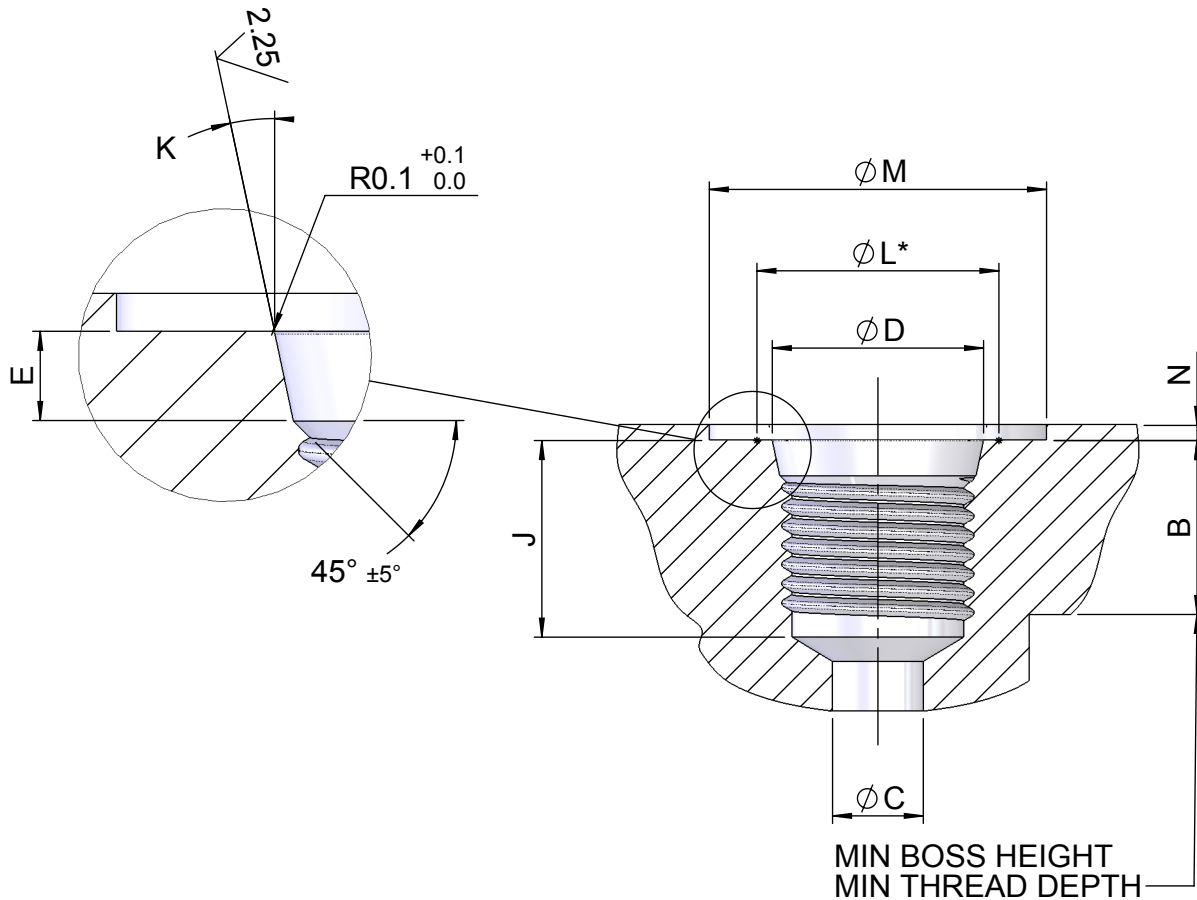


Design Information

Document No:
5-02-102-0

Straight 'O' Ring Boss Details



* - SPOT FACE SURFACE MUST BE SQUARE WITH PITCH DIAMETER. 'L' SHALL BE CONCENTRIC WITH THREAD WITHIN 0.13mm

Thread UNF-2B	Major Ø	Minor Ø min.	B min.	ØC	ØD +0.13	E +0.38	J min.	K° ± 1°	ØL	Spot Face		'O' Ring	
										ØM min.	N max.	Inside Ø	X- Section
1/4" x 28 UNF	6.35	5.37	8.2	2.0	7.43	1.70	10.0	12	10.0	15.0	1.0	4.70	1.42
5/16" x 24 UNF	7.94	6.79	9.1	2.0	9.09	1.88	11.0	12	11.0	16.8	1.0	6.07	1.63
3/8" x 24 UNF	9.53	8.38	9.9	3.5	10.69	1.88	12.0	12	13.0	18.7	1.0	7.65	1.63
7/16" x 20 UNF	11.11	9.74	11.5	4.5	12.37	2.36	14.0	12	15.0	20.5	1.0	8.92	1.83
1/2" x 20 UNF	12.70	11.33	11.5	6.0	13.97	2.36	14.0	12	16.0	22.3	1.0	10.52	1.83
9/16" x 18 UNF	14.28	12.76	12.7	8.0	15.65	2.46	16.0	12	18.0	24.2	1.0	11.89	1.98
3/4" x 16 UNF	19.05	17.33	14.3	10.0	20.60	2.54	18.0	15	23.0	29.7	1.5	16.36	2.21
7/8" x 14 UNF	22.22	20.26	16.7	13.0	23.93	2.54	20.0	15	26.0	33.3	1.5	19.18	2.46
1-1/16" x 12 UN	26.99	24.70	19.1	16.0	29.16	3.30	24.0	15	32.0	40.7	1.5	23.48	2.95
1-5/16" x 12 UN	33.34	31.05	19.21	22.0	35.51	3.30	24.0	15	39.0	48.0	2.0	29.74	2.95

FHS
MOTOR RACING

656 Ajax Avenue, Slough, Berkshire, SL1 4BH

Tel: +44 (0)1753 513080 Fax: +44 (0)1753 513099

www.fhsracing.co.uk e-mail: info@fhsracing.co.uk

This Data is confidential and is supplied on the express condition that it shall not be lent, copied or disclosed to any other person or used for any other purpose without the written consent of FHS Motor Racing Ltd.

© FHS Motor Racing Ltd 2010, Design rights under Copyright, Designs & Patents Act 1988 reserved.