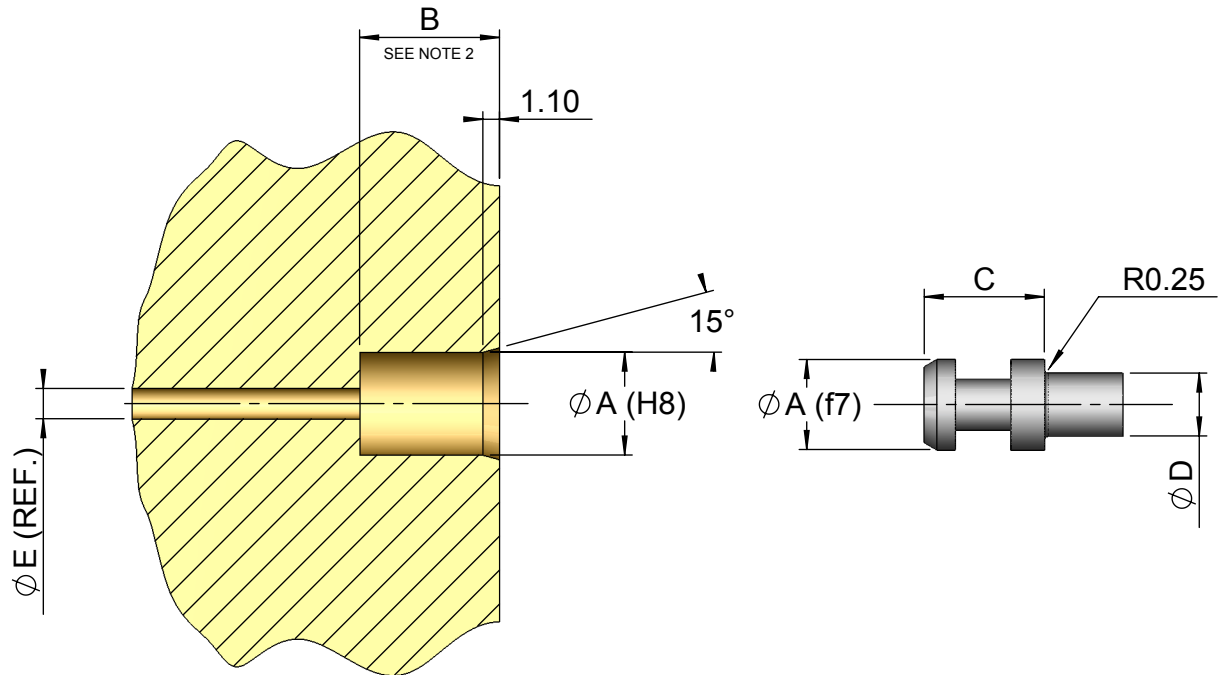


Design Information

Document No:
5-02-103-0

Plug In Design Guide



SIZE	A	B	C (+/- 0.025)	D (+/-0.05)	E	O RING BS1806	NOTES
-2	6.20	7.55	7.42	3.60	2.0	801	100 Bar Max.
	*6.80	9.25	9.12	4.75	2.0	007	200 Bar +
-3	*8.70	9.25	9.12	6.10	3.0	009	200 Bar +
	8.80	9.50	9.37	6.10	3.0	009	200 Bar +
-4	*9.50	9.25	9.12	6.30	4.0	010	200 Bar +
	9.60	9.25	9.12	6.30	4.0	010	200 Bar +
	10.00	10.00	9.87	7.00	4.0	610	200 Bar +
	10.30	10.50	10.37	6.50	4.0	610	200 Bar +
-5	*10.80	9.25	9.12	7.80	6.0	011	200 Bar +
	12.00	10.00	9.87	9.00	6.0	012	200 Bar +
-6	*12.70	10.00	9.87	10.30	8.0	012	200 Bar +
	14.38	12.00	11.87	11.00	8.0	806	200 Bar +
-8	16.00	12.50	12.37	13.00	10.0	014	200 Bar +

NOTES:

1. USE PTFE SPIRAL ANTI-EXTRUSION RING WITH PRESSURES GREATER THAN 100 BAR.
2. TOLERANCE PORT DEPTH 'B' AS CLEARANCE OR INTERFERENCE FIT WITH 'C', AS PREFERRED
3. SIZES MARKED '*' ARE PREFERRED, BUT FHS OFFERS TO MANUFACTURE FITTINGS TO YOUR SPECIFICATIONS.

FHS
MOTOR RACING

656 Ajax Avenue, Slough, Berkshire, SL1 4BH

Tel: +44 (0)1753 513080 Fax: +44 (0)1753 513099

www.fhsracing.co.uk e-mail: info@fhsracing.co.uk

This Data is confidential and is supplied on the express condition that it shall not be lent, copied or disclosed to any other person or used for any other purpose without the written consent of FHS Motor Racing Ltd.

© FHS Motor Racing Ltd 2010, Design rights under Copyright, Designs & Patents Act 1988 reserved.