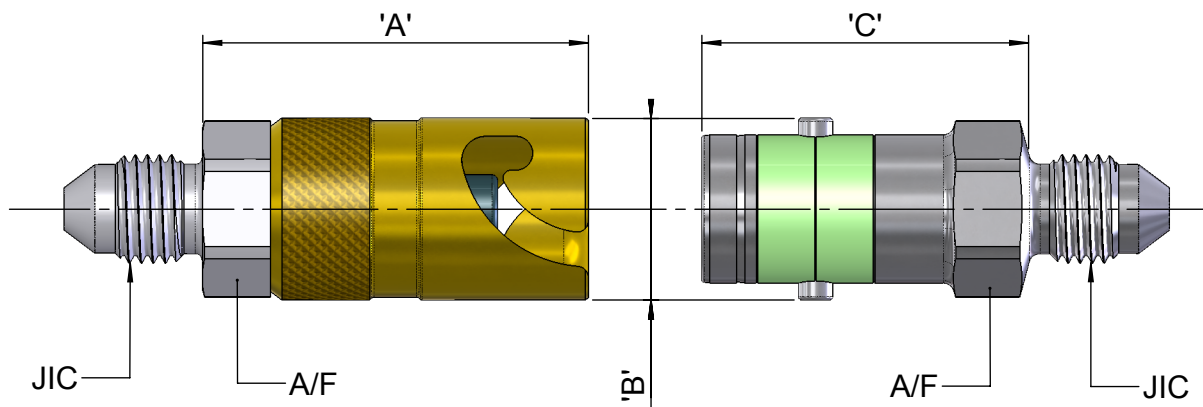


# Stäubli Quick Disconnect

Coupler Specification - EPDM Seals

Document No:  
3-02-101-3



APPLICATION: BRAKES AND CLUTCH

PART NUMBER	BODY TYPE	THREAD SIZE	MAT'L	MAX WORK. PRESSURE	'A' mm	'B' mm	'C' mm	A/F mm
78SPH-03C/E	COUPLER	3/8" x 24 UNF	ALLOY	2900 PSI	---	16	32.0	13
78SPH-03C/B/E*	COUPLER	3/8" x 24 UNF	ALLOY	2900 PSI	---	16	32.0	14
78SPH-03N/E	NIPPLE	3/8" x 24 UNF	ALLOY	2900 PSI	35.0	16	---	13
78SPH-03SSC/E	COUPLER	3/8" x 24 UNF	St Stl	4400 PSI	---	16	32.0	13
78SPH-03SSC/B/E*	COUPLER	3/8" x 24 UNF	St Stl	4400 PSI	---	16	32.0	14
78SPH-03SSN/E	NIPPLE	3/8" x 24 UNF	St Stl	4400 PSI	35.0	16	---	13
78SPH-10X1C/E	COUPLER	M10 x 1.0	ALLOY	2900 PSI	---	16	32.0	13
78SPH-10X1N/E	NIPPLE	M10 x 1.0	ALLOY	2900 PSI	35.0	16	---	13
78SPH-04C/E	COUPLER	7/16" x 20 UNF	ALLOY	2300 PSI	---	21	32.5	19
78SPH-04C/B/E*	COUPLER	7/16" x 20 UNF	ALLOY	2300 PSI	---	21	32.5	19
78SPH-04N/E	NIPPLE	7/16" x 20 UNF	ALLOY	2300 PSI	35.5	21	---	16

\*BULKHEAD FITTING

- ACTUAL PRODUCT DESIGN MAY DIFFER FROM ILLUSTRATION
- CONTACT FHS FOR FURTHER DETAILS / ADDITIONAL SIZES

**FHS**  
MOTOR RACING

656 Ajax Avenue, Slough, Berkshire, SL1 4BH

Tel: +44 (0)1753 513080 Fax: +44 (0)1753 513099

www.fhsracing.co.uk e-mail: info@fhsracing.co.uk

This Data is confidential and is supplied on the express condition that it shall not be lent, copied or disclosed to any other person or used for any other purpose without the written consent of FHS Motor Racing Ltd.

© FHS Motor Racing Ltd 2010, Design rights under Copyright, Designs & Patents Act 1988 reserved.