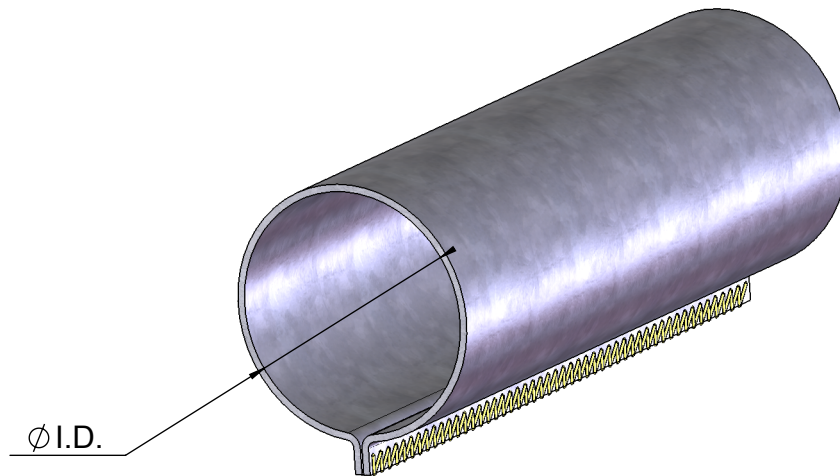


# Firesleeve

Aluminised Glass Fibre Sleeve

Document No:  
4-01-102-0



PART NUMBER	ID mm
78F0003	10
78F0004	14
78F0006	16
78F0008	22
78F0010	25
78F0012	30
78F0016	35

- SELECT THE FIRESLEEVE WHERE THE I.D. IS SLIGHTLY LARGER THAN THE HOSE O.D.
- ACTUAL PRODUCT DESIGN MAY DIFFER FROM ILLUSTRATION
- CONTACT FHS FOR FURTHER DETAILS / ADDITIONAL SIZES

**FHS**  
MOTOR RACING

656 Ajax Avenue, Slough, Berkshire, SL1 4BH

Tel: +44 (0)1753 513080 Fax: +44 (0)1753 513099

www.fhsracing.co.uk e-mail: info@fhsracing.co.uk

This Data is confidential and is supplied on the express condition that it shall not be lent, copied or disclosed to any other person or used for any other purpose without the written consent of FHS Motor Racing Ltd.

© FHS Motor Racing Ltd 2010, Design rights under Copyright, Designs & Patents Act 1988 reserved.